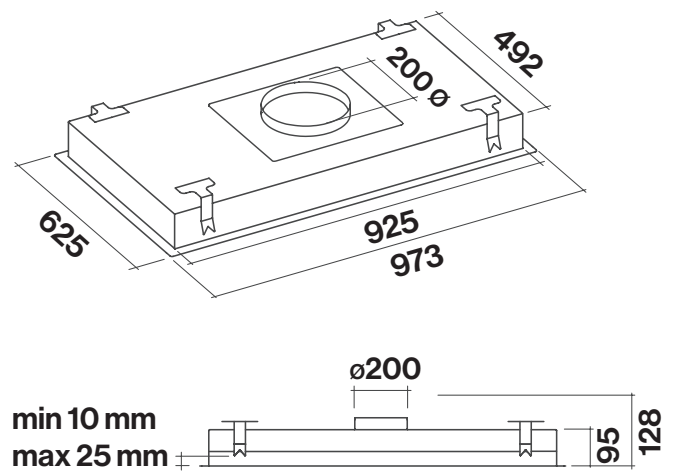




Product Features

Motor Type	Off Board Motor
Dimensions	1358(W) x 95(H) x 625(D)mm Suits 75cm-150cm Cooking Surfaces
Filtration Type	4 x Metallic Grease Filter
Finish	304 Grade Stainless Steel
Controls	Electronic Control
Speed Settings	3 Speed + Boost
Timer Function	15 Min Auto Shut-Off
Ducting	200mm Circular Outlet + 6m of Flexible Ducting Supplied
Included Accessories	90° Elbow Wall Vent (Inline Motor Only)
Remote Control	Included
Grease Filter Alarm	Yes
Dishwasher Safe Filters	Yes

Dimensioned Drawings



* Maximum distance from cooktop 150cm

Model Code	Installation Option	Motor Output	Finish
F9NB14S1-IN1300	Ceiling	1300 m ³ /hr	Stainless Steel
F9NB14S1-EW1500	Ceiling	1500 m ³ /hr	Stainless Steel